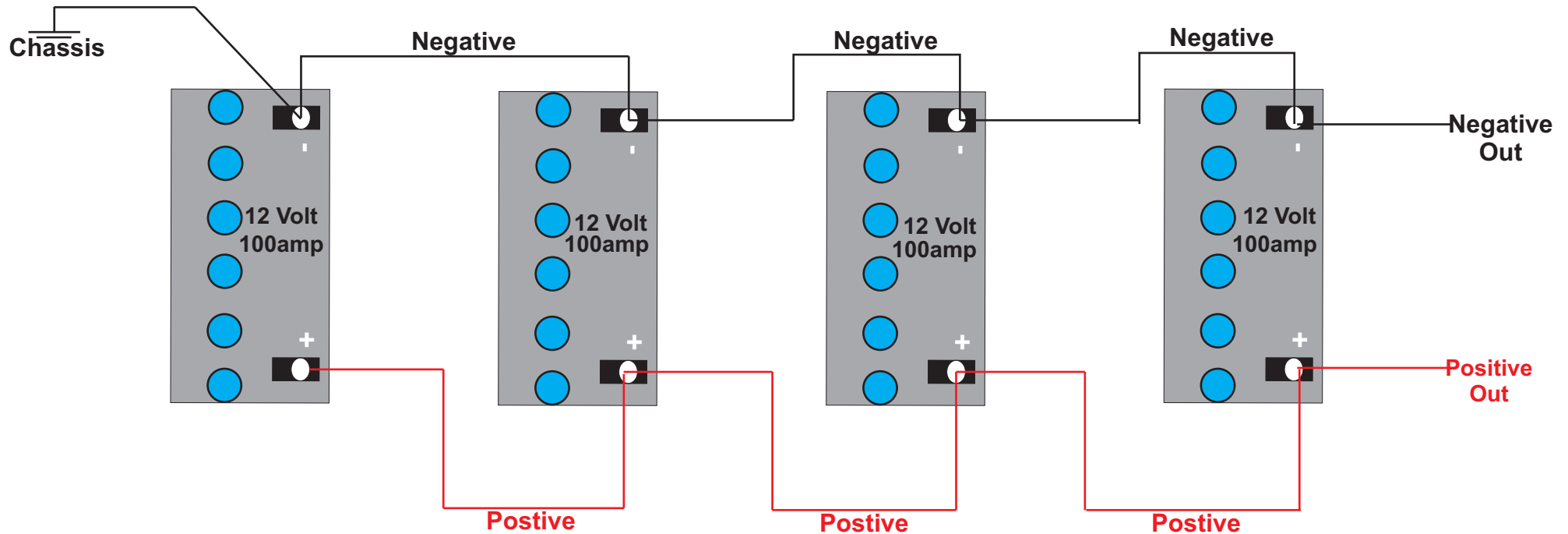


To equalize & reach maximum charge & load you use opposite positive and negative to reach across your batteries picture below shows an example of this.

For any further information please call 1300 0 SOLAR or email on info@dynamicssolutions.com.au



Your cable should be 6 B&S 13.5mm² or you may receive voltage drop depending on distance.

[Refer to our chart in FAQ's](#)

This diagram is a guide only



Jamie's 12 Volt Solar Shop

8 Allen Street Moffat Beach QLD 4551

PH: 07 5492 5071

1300 0 SOLAR/ 76527

FAX: 07 5437 0649

info@dynamicssolutions.com.au

www.dynamicssolutions.com.au