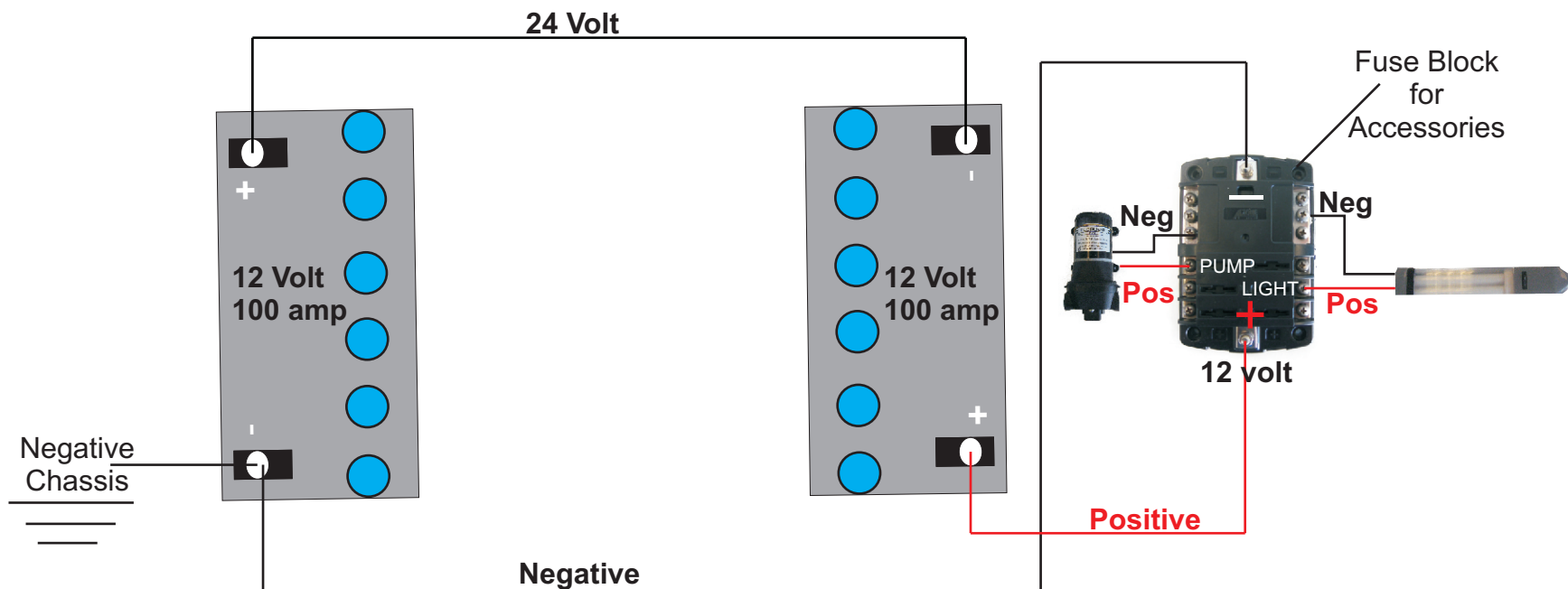


To Increase the voltage capacity, connect batteries in series, for your house system or for your stand alone system

For more information please call 1300 0 SOLAR or email on info@dynamicssolarsolutions.com.au



Your cable should be 6 B&S 13.5mm² or you may receive voltage drop depending on distance.

Refer to our chart in FAQ's

This diagram is a guide only



Jamie's 12 Volt Solar Shop

8 Allen Street Moffat Beach QLD 4551

PH: 07 5492 5071

1300 0 SOLAR/ 76527

FAX: 07 5437 0649

info@dynamicssolarsolutions.com.au

www.dynamicssolarsolutions.com.au